

(* DIMENSION TO BE APPROVED BY HYDRO-BRAKE SUPPLIERS

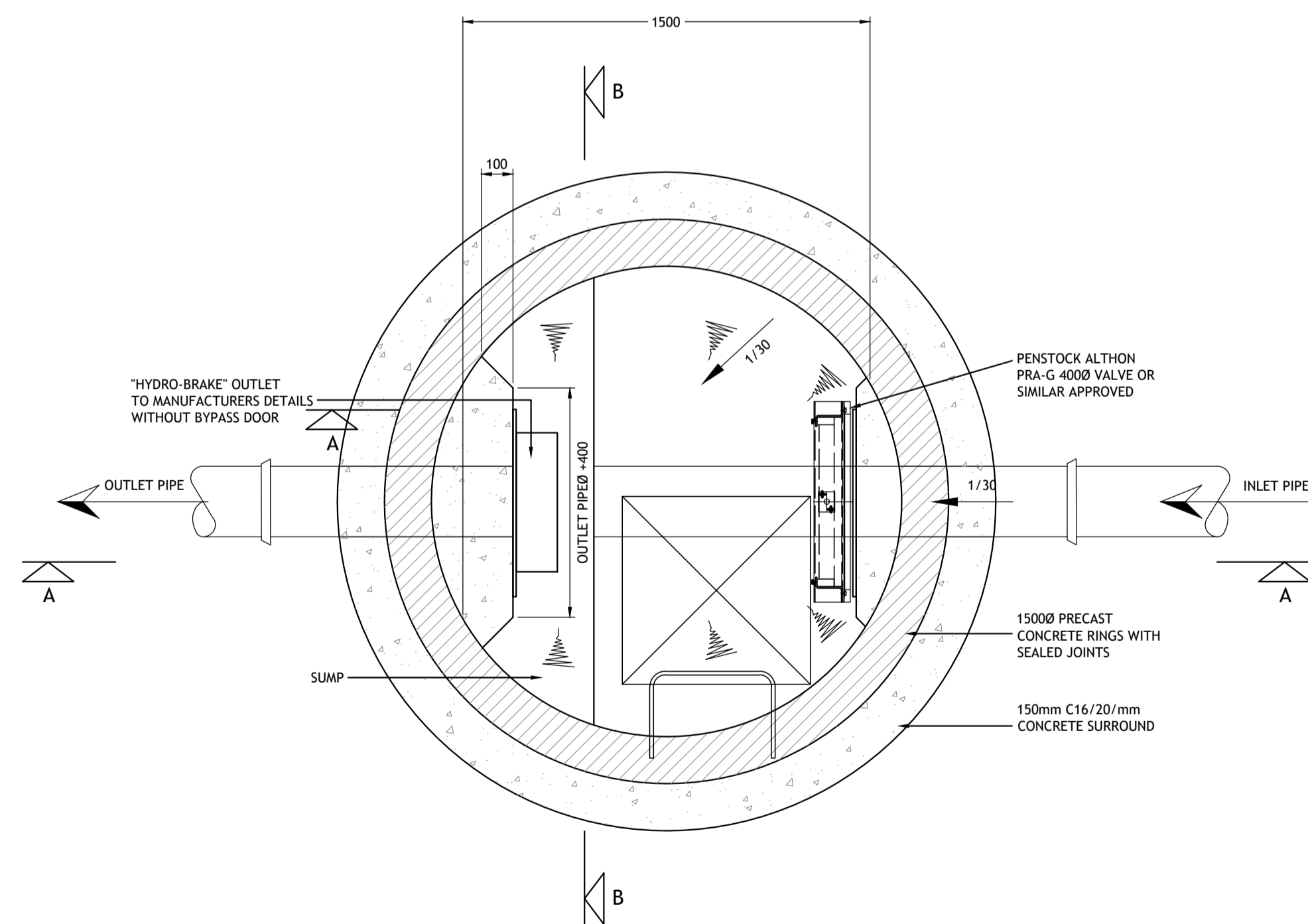


TABLE M1 - INTERNAL DIAMETER OF MANHOLES

DIAMETER OF LARGEST PIPE IN MANHOLE (mm)	INTERNAL DIAMETER OF MANHOLE (mm)
LESS THAN 375	1200
375 - 750	1500
750 - 900	1800
> 900	CONSULT LOCAL AUTHORITY

NOTE :

USE 1050 DIAMETER RINGS FOR PIPES LESS THAN 375mm DIAMETER WHERE DEPTH TO SOFFIT IS 1.35 - 1.5m

TABLE M2 - ROCKER PIPE LENGTH

NOMINAL PIPE DIAMETER (mm)	EFFECTIVE LENGTH (M)
150 to 600	0.60
675 to 750	1.00
Over 750	1.25

- MANHOLE COVER TO BE HINGED AT RIGHT ANGLES TO KERBLINE SO THAT THEY CLOSE IN DIRECTION OF TRAFFIC.
- MANHOLE COVERS ON ROADS SHOULD BE LOCATED IN THE MIDDLE OF TRAFFICKED LANES INSIDE WHEEL TRACKS
- COVER AND FRAME TO BE INSTALLED SO THAT NO PART OF THE UNIT IS RAISED OR SUNKEN IN A WAY THAT COULD CAUSE A HAZARD TO PEDESTRIAN OR VEHICULAR TRAFFIC

NOTE :

- MANHOLES WITH OUTGOING PIPES GREATER THAN 600mm DIA. SHOULD BE FITTED WITH GUARD BARS, SAFETY CHAINS OR OTHER SAFETY DEVICES.
- FOR DEPTHS TO INVERT -2.700m AN ACCESS SHAFT OF MIN. 900mm DIAMETER AND REDUCING SLAB MAY BE USED.
- WHERE THE DEPTH TO INVERT IS 1.00m OR LESS A 450mm x 450mm (OR 450mm DIA.) INSPECTION CHAMBER WITH MINIMUM COVER SIZES OF 450mm DIA. MAY BE USED SUBJECT TO ACCOMMODATION OF CONNECTIONS AND APPROVAL OF THE LOCAL AUTHORITY.
- ON COMPLETION OF CONSTRUCTION INTERNAL SURFACES OF MANHOLE & SEWERS TO THOROUGHLY CLEANSED TO REMOVE ALL DELETERIOUS MATERIAL, WITHOUT SUCH MATTER BEING PASSED FORWARD INTO PUBLIC SEWERS OR WATERCOURSES
- FIRST MANHOLE UPSTREAM FROM CONNECTION TO THE (EXISTING) PUBLIC SEWER TO BE FITTED WITH A SCREEN IN ORDER TO PREVENT DEBRIS ENTERING THE PUBLIC SEWER. THE SCREEN NOT TO BE REMOVED UNTIL IMMEDIATELY PRIOR TO OCCUPATION OF PREMISES TO BE SERVED BY SEWER.

20 TYPICAL HYDROBRAKE MANHOLE DETAILS

021 SCALE 1:20

© PUNCH Consulting Engineers

This drawing and any design hereon is the copyright of the Consultants and must not be reproduced without their written consent. All drawings remain the property of the Consultants. Figured dimension only to be taken from this drawing. Consultants to be informed immediately of any discrepancies before work proceeds.



Date Drawn: JULY 2018
 Drawn By: IBS
 Date Issued: 2019/04/12
 Issued By: IBS



Rev	Amendment	By	Date
PL0	ISSUED FOR PLANNING	IBS	2019/03/25
PL1	ISSUED FOR PLANNING	IBS	2019/03/29
PL2	ISSUED FOR PLANNING	IBS	2019/04/12

Client:
 IRES Residential Properties LTD.

Job: LANDS KNOWN AS "RB CENTRAL" AT ROCKBROOK, CARMANHALL ROAD, SANDYFORD BUSINESS DISTRICT, SANDYFORD, DUBLIN 18

Title: TYPICAL DRAINAGE DETAILS - SHEET 3

Scale @ A1: AS SHOWN
 Technician Check: IBS
 Engineer Check: MR
 Approved: PC
 Drawing No: 152217-023
 Rev: PL2

